

Sink Uragano

Kitchen Sinks

Code: 1555 070



DETAILS

Edge/Installation Type Standard (8 mm Edge)

Finish Foster brushed

Material AISI 304 stainless steel

Texture Foster brushed

Base 100 cm

Dimensions 970x500 mm

Standard fittings Fixing hooks, gasket, drain, overflow and siphon, boxed packing

Mixer holes 1 standard hole

Built-in hole 950x480 mm

Drainer No

Width 97 cm

Bowl dimension 910x440mm

Number of bowls 1 bowl

Waste fitting 7" drain

FEATURES

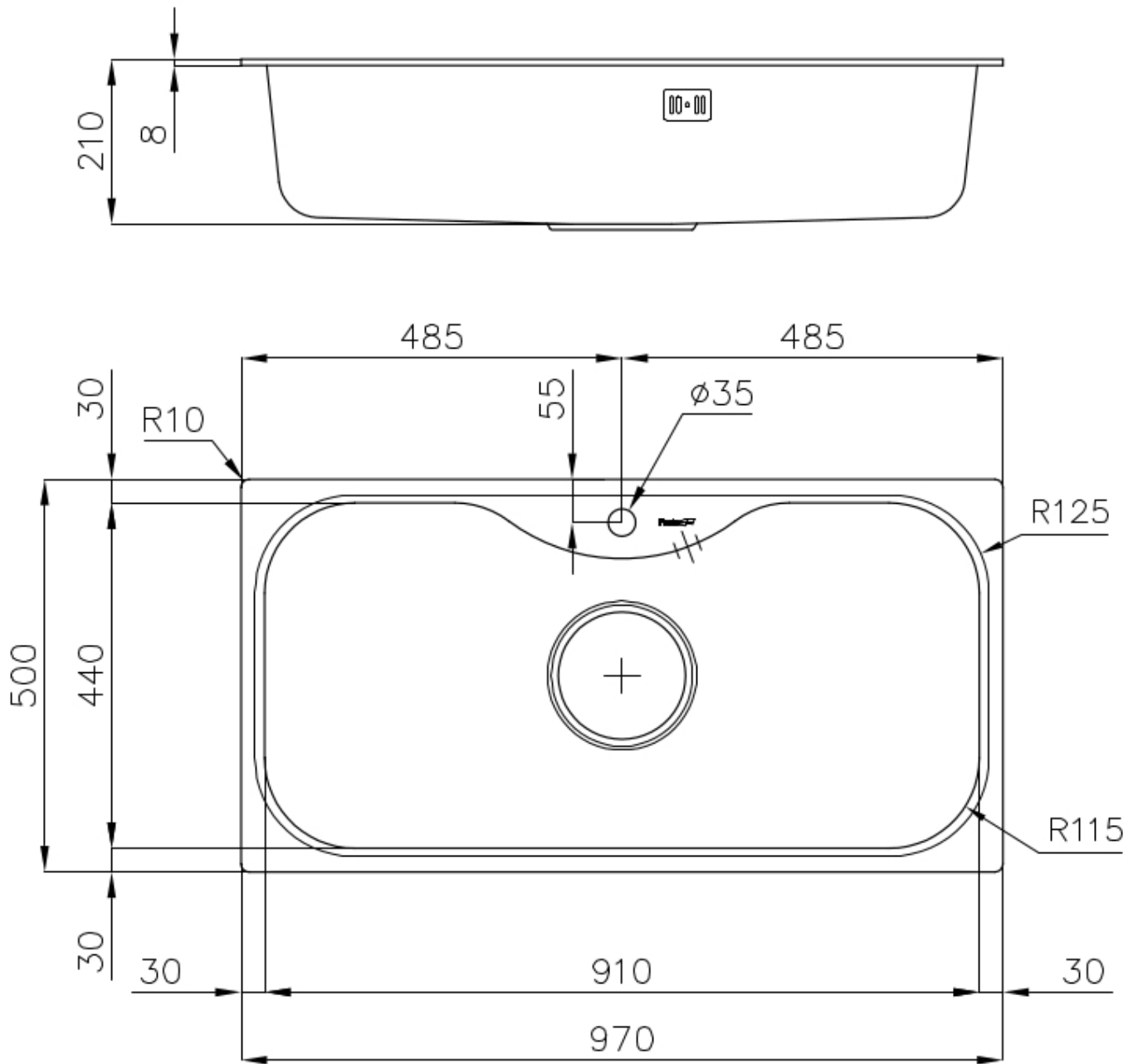
7" xxl waste fitting The 7" exhaust has dimensions that are much higher than the standard. The drain includes a large and deep basket for the collection of food waste.

Deep bowls This bowls reach an important depth, over 20 cm, thanks to the advanced production technology, that can be offer great capieny and practicity in all the washing operations.

High thickness 1mm thick steel. A significant thickness, which guarantees the maximum sturdiness and durability.

Sliding brackets

TECHNICAL DATA



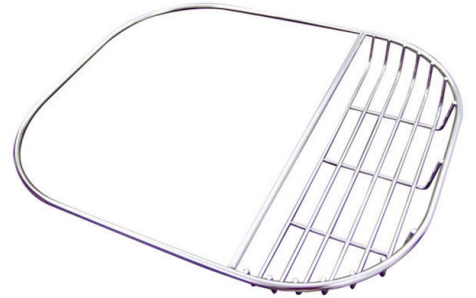
OPTIONAL ACCESSORIES



Iroko-wood chopping board
8659 112



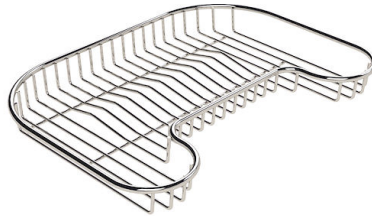
Iroko-wood twin chopping board
8644 003



Stainless steel bowl-holder ring
8100 112



Stainless steel plate rack
8100 154



Stainless steel plate rack
8100 111



Vaschetta bianca
8152 100
* only in combination with the accessory
8100 112



White colander
8151 100

RECOMMENDED PAIRINGS



Mixer Tap KS Plus
8522 000



Mixer Tap Magnum
8484 000